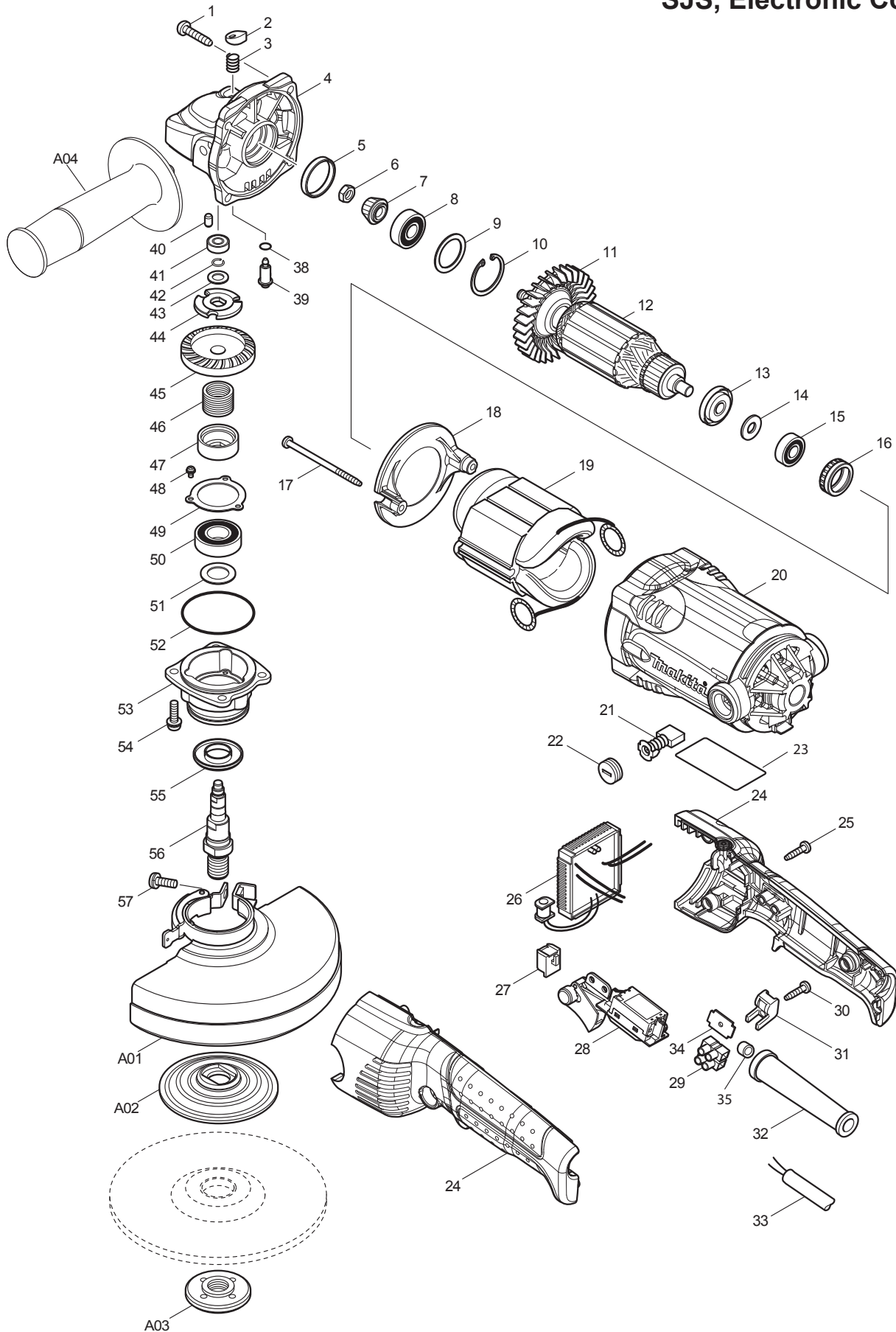




07 - 2010  
GA6020C  
6" GRINDER  
SJS, Electronic Control



Item No	Type	Ref	Part No	Description	Qty	Unit
001	2		266459-3	TAPPING SCREW 5X25	4	PC.
002			417771-6	PIN CAP	1	PC.
003			234057-1	COMPRESSION SPRING 8	1	PC.
004			318158-4	GEAR HOUSING	1	PC.
005			424051-3	RUBBER RING 26	1	PC.
006			264010-3	HEX.NUT M7	1	PC.
007			227529-3	SPIRAL BEVEL GEAR 11A	1	PC.
008	2		210059-1	BALL BEARING 6000DDW (Nylon)	1	PC.
009			267352-4	FLAT WASHER 22	1	PC.
010			962107-9	RETAINING RING (INT) R-30	1	PC.
011			240094-5	FAN 70	1	PC.
012	2		513796-9	* ARMATURE ASS'Y 115V (Claim: EQ-066/101)	1	PC.
		INC.		Item No. 11, 13-15	1	PC.
	3		513881-8	* ARMATURE ASS'Y 115V	1	PC.
		INC.		Item No. 11, 13-15	1	PC.
013			681660-3	INSULATION WASHER	1	PC.
014			267281-1	FLAT WASHER 8	1	PC.
015			210005-4	BALL BEARING 608DDW	1	PC.
016			421720-7	RUBBER RING 22	1	PC.
017			266325-4	TAPPING SCREW 4X70	2	PC.
018			419961-7	BAFFLE PLATE	1	PC.
019	2		520069-3	* FIELD ASSEMBLY 115V	1	PC.
		INC.	654020-2	* RING TERMINAL	2	PC.
020			158409-1	MOTOR HOUSING COMPLETE	1	PC.
		INC.	643751-8	BRUSH HOLDER	2	PC.
		INC.	810341-4	CAUTION LABEL	1	PC.
021	2		194994-0	CARBON BRUSH CB-253 2PC/SET (W/ ORIGIN)	1	SET
022			643750-0	BRUSH HOLDER CAP	2	PC.
023			864052-3	NAME PLATE F/GA6020C	1	PC.
024			188450-0	HANDLE SET	1	SET
025			266326-2	TAPPING SCREW 4X18	4	PC.
026			631800-3	CONTROLLER	1	PC.
027			418518-1	SLEEVE	1	PC.
028			651060-1	SWITCH TG933TRA-1	1	PC.
029			654542-2	TERMINAL BLOCK 2P	1	PC.
030			266326-2	TAPPING SCREW 4X18	1	PC.
031			687260-7	STRAIN RELIEF	1	PC.
032			682505-8	CORD GUARD 10-90	1	PC.
033	2		664285-8	CORD WITH PLUG 2P-16-2.5M, SJ	1	PC.
034			424052-1	SPONGE SHEET	1	PC.
035			683240-1	TUBE 10-10.8-15 (F/664285-8)	1	PC.
038			213977-2	O RING 7	1	PC.
039			256505-0	SHOULDER PIN 5	1	PC.
040			263002-9	RUBBER PIN 4	1	PC.
041			210006-2	BALL BEARING 696ZZ	1	PC.
042			233926-3	RING SPRING 7	1	PC.
043			253835-0	FLAT WASHER 8	1	PC.
044			267811-8	LOCK WASHER	1	PC.
045			227530-8	SPIRAL BEVEL GEAR 38	1	PC.
046	2		234356-1	LOCK SPRING 16	1	PC.
047			324833-2	LOCK SLEEVE	1	PC.
048			911003-8	PAN HEAD SCREW M3X6	3	PC.
049			285728-3	BEARING RETAINER 39	1	PC.
050	2		211236-8	BALL BEARING 6002DDW	1	PC.
051			253853-8	FLAT WASHER 15	1	PC.
052			213624-5	O RING 48	1	PC.
053	2		318299-6	* BEARING BOX	1	PC.
	3		318332-4	* BEARING BOX	1	PC.

Item No	Type	Ref	Part No	Description	Qty	Unit
054			265131-4	PAN HEAD SCREW M5X18	4	PC.
055			345464-4	LABYRINTH RING	1	PC.
056			324790-4	SPINDLE A	1	PC.
057	1		265103-9	PAN HEAD SCREW M5X14(F/165488-2)	1	PC.
	2		251391-4	* PAN HEAD SCREW M5X16(F/135172-3, 135110-5)	1	PC.
	3		265180-1	* PAN HEAD SCREW M5X16(F/123074-5, 123146-6)	1	PC.
061			253828-7	* FLAT WASHER 10 (ADDED, F/ARMATURE FAN SIDE)	1	PC.
		INC.	654555-3	* CONNECTOR 34130	2	PC.
D01	1		654037-5	INSULATED EYE TERMINAL FT1.25-M3 (TYPE 1) (F/Wiring)	1	PC.
D02	1		654077-3	* INSULATED TERMINAL FK2-M3D-5.5 (TYPE 1) (F/Wiring)	1	PC.
	2		654117-7	* INSULATING TERMINAL (TYPE 2) (F/Wiring)	1	PC.
	2		654198-1	* INSULATED TERMINAL (TYPE 2) (F/Wiring)	1	PC.
D03	1		654509-0	* CONNECTOR 2-SD (TYPE 1) (F/Wiring)	1	PC.
	2		654562-6	* INSULATED CONNECTOR 2-SD 35115 (BTW:Field and Controller)	1	PC.

### ACCESSORIES

- See catalogue or visit [www.makita.ca](http://www.makita.ca) for more optional accessories -

A01	2		135172-3	TOOLLESS WHEEL COVER ASSY F/6" (H:55MM)	1	PC.
		INC.		Item No. 57	1	PC.
	3		135110-5	* TOOLLESS WHEEL COVER ASSY F/6" (H:43.5MM)	1	PC.
		INC.		* Item No. 57 Type 2	1	PC.
	5		123146-6	* TOOLLESS WHEEL COVER ASSY F/6" (H:43.5MM)	1	PC.
		INC.	213009-5	* O RING 4	1	PC.
		INC.		* Item No. 57 Type 3	1	PC.
		INC.	265103-9	PH SCREW M5X14	1	PC.
	Opt.2		135192-7	* CONVENTIONAL WHEEL COVER ASSY 6"	1	PC.
		INC.	265180-1	PH SCREW M5X16	1	PC.
A02			224361-6	INNER FLANGE 82	1	PC.
	Opt.		224390-9	INNER FLANGE 48 (FOR CUT-OFF)	1	PC.
A03			224568-4	LOCK NUT 5/8-45	1	PC.
	Opt.		224574-9	LOCK NUT 5/8-48 (FOR CUT-OFF)	1	PC.
A04	1		153504-2	GRIP 36 COMPLETE	1	PC.
	3		194514-0	VIBRATION PROOF GRIP F/4" - 6", PKG	1	PC.
	4		158237-4	GRIP 36 COMPLETE (RUBBER GRIP)	1	PC.
A05			782424-9	LOCK NUT WRENCH 28	1	PC.
A06	1		A-80846	6" DEPRESSED CENTER WHEEL GRIT 36	1	PC.
	2		D-29309	6" DEPRESSED CENTER WHEEL GRIT A24R	1	PC.
	2		A-95978-25	6" D.C.G.W WA36N 25/PK	1	SET
	Opt.		-----	DEPRESSED CENTER GRINDING WHEELS		
A08			193048-0	SANDING LOCK NUT 5/8-48	1	PC.
A09			743016-9	RUBBER PAD 125 F/6"	1	PC.
A10			194482-7	DUST COVER ATTACHMENT (will be SE from Apr 2012 production) Check T/I, inventory, Maksis	1	PC.
A11			194483-5	LOOP HANDLE SET	1	SET
		INC.	416256-9	LOOP HANDLE	1	PC.
		INC.	450189-8	SPACER A	1	PC.
		INC.	450190-3	SPACER B	1	PC.
		INC.	783204-6	HEX WRENCH 6	1	PC.
		INC.	922453-2	HEX. SOCKET SCREW M8X30	2	PC.
A12	1		165486-6	* CUT OFF WHEEL COVER F/6" (H:45MM)(Use with Screw #251391-4)	1	PC.
	2		165744-0	* CUT OFF WHEEL COVER F/6" (H:50MM) (Use with Screw #251391-4)	1	PC.
	3		122912-8	* CUT OFF WHEEL COVER F/6" (H:50MM) (Use with Screw #251391-4)	1	PC.

**SERVICE CHANGES**

**1. Changes on Armature Assy**

(TI#86782)

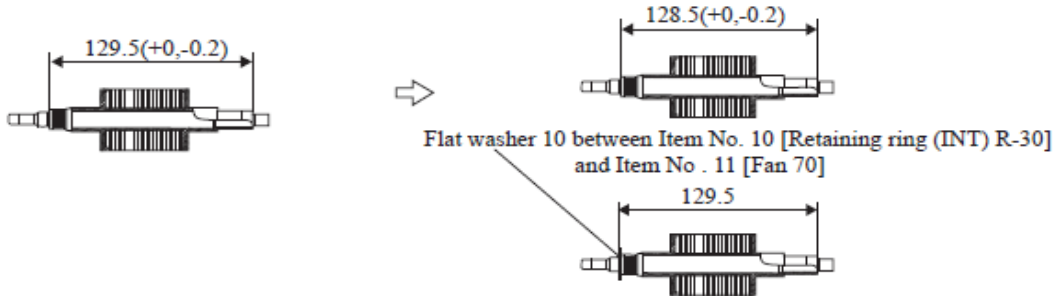
(TI#99386)

Item No.	Description	Type 1	Type 2	Type 3
12	Armature Assy	513726-0	513796-9	513881-8
61	Flat Washer	---	253828-7	

Above parts are completely interchangeable as a set.

**Type 1**

**Type 2**



**Type 3 of Armatures**

Commutator is changed to increase durability

**2. Changes on Filed Assy etc.**

(TI#Z12397)

Item No.	Description	Type 1	Type 2
19	Field Ass'Y 115V	525786-0	520069-3
	INC. Ring Terminal	654020-2	
	INC. Connector P-1.25 > 34130	654501-6	654555-3
D01	Insulated Term. FK1.25-3M >Insulating Terminal	654037-5	654117-7
D02	Insulated Term. FK2-M3D- 5.5>Insulating Terminal	654077-3	654198-1
D03	Connector 2-SD>Insulated Connector 2-SD 35115	654509-0	654562-6

See Technical Information # Z12397 for Wiring Change.

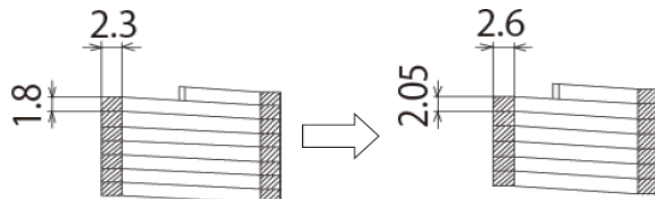
**3. Changes on Lock Spring**

(TI#A5676)

Item No.	Description	Type 1	Type 2
46	Lock Spring 16	233957-2	234356-1

**Type1**

**Type2**



**4. Changes on Wheel Cover Assembly & Bearing**

(TI#80667, A4621)

(TI#B3379)

TBA

Item No.	Description	Type 2	Type3	Type 4	Type 5
53	Bearing Box	318160-7	318299-6	318332-4	
57	Pan Head Screw M5X16	251391-4		265180-1	
A01	Toolless Wheel Cover Ass'y >Toolless Wheel Cover A125 Ass'y	135172-3	135110-5	123074-5 (N/A)	123146-6
	INC. O ring 4	-----		213009-5	
A01 Opt.	Conventional Wheel Cover Assy 6"	135169-2 or 135192-7		-----	
A12 Opt.	Cut Off Wheel Cover F/6"	165486-6 or 165744-0		122912-8	

Item no. 57 is a component of A01

Type 3 > Type 4>Type 5 parts above are interchangeable as a set

Type3

Type 5 (Type 4)

